



QuickConnect Ultimate Switch Panel ([EzAcDc](#))

Installation Instructions

Thank you for your purchase of the [EzAcDc](#) ultimate switch panel. Your new panel is easily installed and ready to handle nearly any boat function.

This UV resistant molded panel is fully loaded and wired - and is ready to easily QuickConnect to other [EzAcDc](#) components, including our [harness](#), [bilge pump](#), [aerator pump](#), [horn](#) and [light](#) kits. Or, the panel will also work great with your existing boat wiring and components.

[EzAcDc](#) engineering helps to make your boat wiring project simple, smart, and safe. We have included switches for your [horn](#), [navigation lights](#), [bilge pump](#), dock light, courtesy light and, as if that weren't enough, two additional accessory positions for controlling other boat functions.

Each switch, like every [EzAcDc](#) part, is pre-wired with multi-strand [tinned wire that offers superior corrosion protection](#) and exceeds marine industry boat wiring standards.

To further assure that your project is completed quickly and safely, this panel, like all [EzAcDc](#) products, includes [industry standard circuit protection](#).

Your new Ultimate Switch Panel loaded and wired with 8 of the most common switches and a 12v receptacle. The switches are:

1. Nav/anc light
2. Bilge pump
3. Courtesy lights
4. Docking lights
5. Stereo
6. Horn
7. Accessory 1
8. Accessory 2

It is also pre-wired for two [EzAcDc](#) accessory harnesses and a stereo.

Installation:

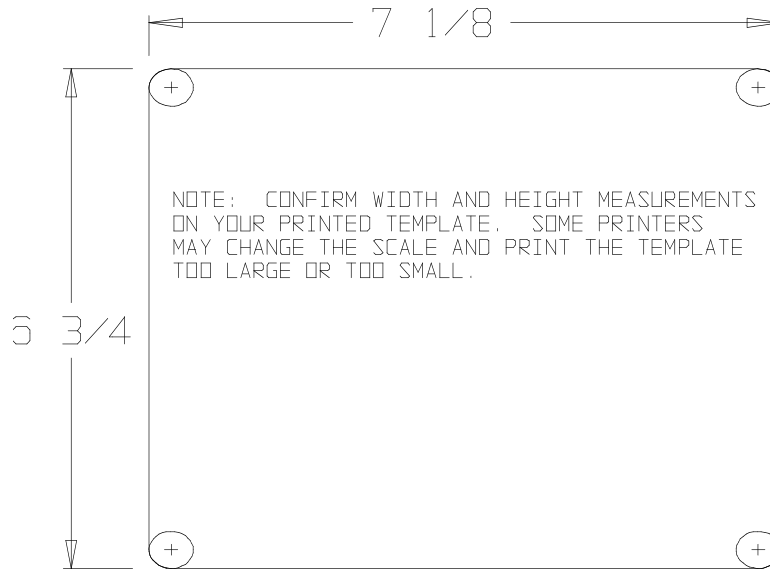
IMPORTANT Disconnect the battery, battery charger, inverter, shore power cable, or any other type of power source on the boat.

Remove the existing switch panel from boat. If replacing your boat harness using one of the [EzAcDc harnesses](#) make a diagram of your existing boat wiring or take a photo. Pay close attention to wire color and devices these wires are connected to. Remove entire [boat accessory harness](#). Do not remove engine control harness that connects between your engine, your ignition switch, and your instrumentation.

Make a diagram of your existing switch wiring or take a photo. Pay close attention to wire position and color. This will be very helpful

If applicable, remove existing fuse block.

Determine location of new panel. Ensure that there is nothing in the way on the back of the mounting location before cutting. Cut out a rectangular hole that is 7 1/8" x 6 3/4".



Secure panel using 4 #6 x 3/4" oval head screws.

Electrical Connections

12 Position Helm to Boat Harness Connector

- Connects to any [EzAcDc boat harness](#).
- Connects to 6" power jumper to allow connection to old [boat harness](#).

3 Position Stereo Connector (Black, Red, and Red/Black)

- Provides Switched power, power, and ground for stereo
- Includes 6" pigtail for easy connection to your marine stereo.

3 Position Accessory Connectors (Black, Red, and Orange)

- Provides Switched power, power, and ground for accessory
 - Black – Ground
 - Red – Constant power
 - Orange – Switched power
- Easily connection to [all EzAcDc accessory harnesses](#)

Addition Horn Breakout

- Panel provides an extra set of horn leads if your horn is in the helm
 - Orange/white – Horn
 - Black – Horn Ground
- Connects directly to a horn located in your helm. If you purchased an EzAcDc [Deluxe](#) or [Pontoon](#) accessory harness, there is also a breakout in the harness for your horn.

6" Power Jumper Installation

- Connects EzAcDc switch panel to existing [boat harness](#).
- Allows electrical connection to boat harness without modifying switch panel wiring.
- Using your diagram, photos, and a multimeter connect your wires:
 - Black – Ground – Must go to battery or negative buss

- Brown/Orange – Aerator
- RED – 12v power
- Gray/Black – Docking Lights
- Gray/Blue – Anchor/Stern Light
- Gray/Green – Navigation/Bow Light
- Orange/White – Horn
- Brown – Bilge Manual
- Blue – Courtesy Light
- Brown/Red – Bilge Auto
- If boat doesn't have these components, simply tie up the unused wire and save it for when you add that component.

Final details

- Reconnect battery
- Confirm that all circuit work properly
- Tie up extra wires with nylon cable ties or equivalent